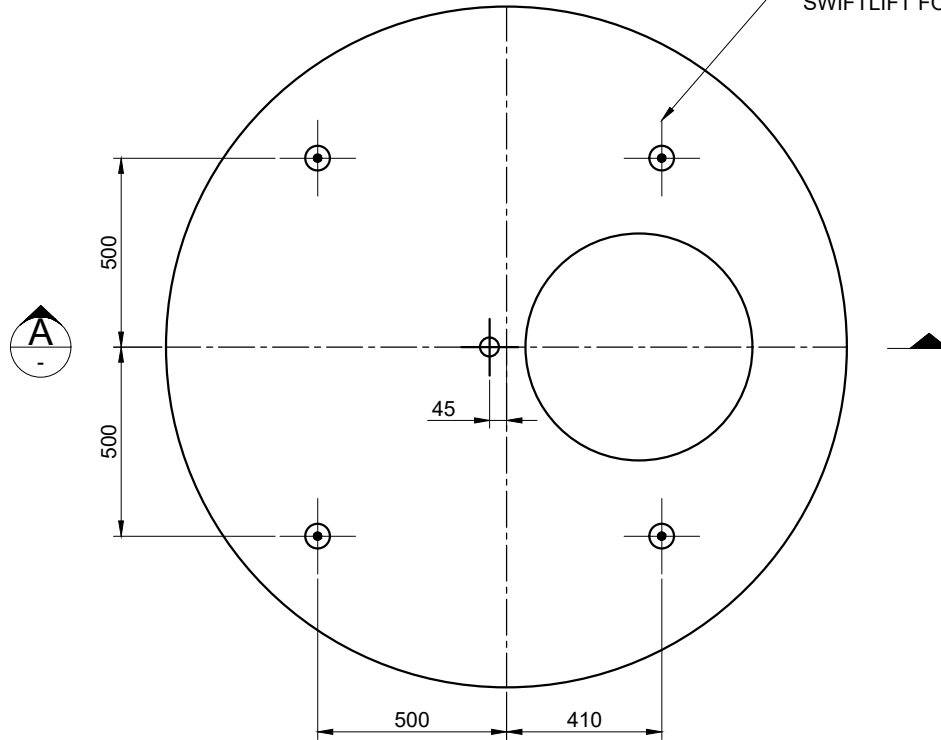


## INFORMATION TABLE

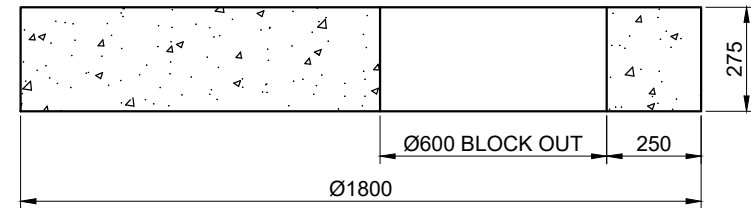
CONCRETE TYPE	MINIMUM N40
CONCRETE VOLUME	0.63m <sup>3</sup>
CONCRETE COVER	30mm MINIMUM
LIFTER TYPE & QTY	4 - 1.3T x 120 FA
MASS	1575KG
ITEM NO/ID	

4 - 1.3T x 120 LONG SWIFTLIFT FOOT ANCHORS



**PLAN VIEW**

NOT ALL DETAILS SHOWN FOR CLARITY



**SECTION A**

NOT ALL DETAILS SHOWN FOR CLARITY

**NOTES:**

1. MANUFACTURED FROM MINIMUM N40 CONCRETE
2. REINFORCEMENT AS PER HCP STANDARD DESIGN
3. CONCRETE COVER & CONCRETE STRENGTH VARIES FOR SPECIFIC APPLICATIONS
4. CUSTOMER TO CHECK ALL DETAILS & APPROVE DRAWING PRIOR TO MANUFACTURE

**DISCLAIMER:**

SHOP DRAWING ONLY, DESIGN BY OTHERS. SITE CONTRACTOR & INSTALLER MUST UNDERTAKE SITE & PROJECT SPECIFIC RISK ASSESSMENT/SWMS AROUND SAFE LIFTING & HANDLING OF PRODUCT

**CP1174 - STANDARD DN1500  
CLASS D MANHOLE SURROUND**

REV	AMENDMENTS	DRAWN	DATE	APPR.	NOTES	SCALE	PAPER
0	ISSUED FOR DRAWING REGISTER	M.R.	23/06/20	A.H.	<b>STANDARD PRODUCT DRAWING</b>	1:20	A4
						JOB NUMBER	DRAWING
					DRAWN M.R.	CHECKED A.H.	DATE 23 JUNE 2020
							FAC-MH005-05C



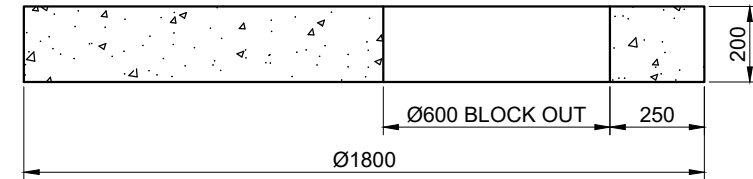
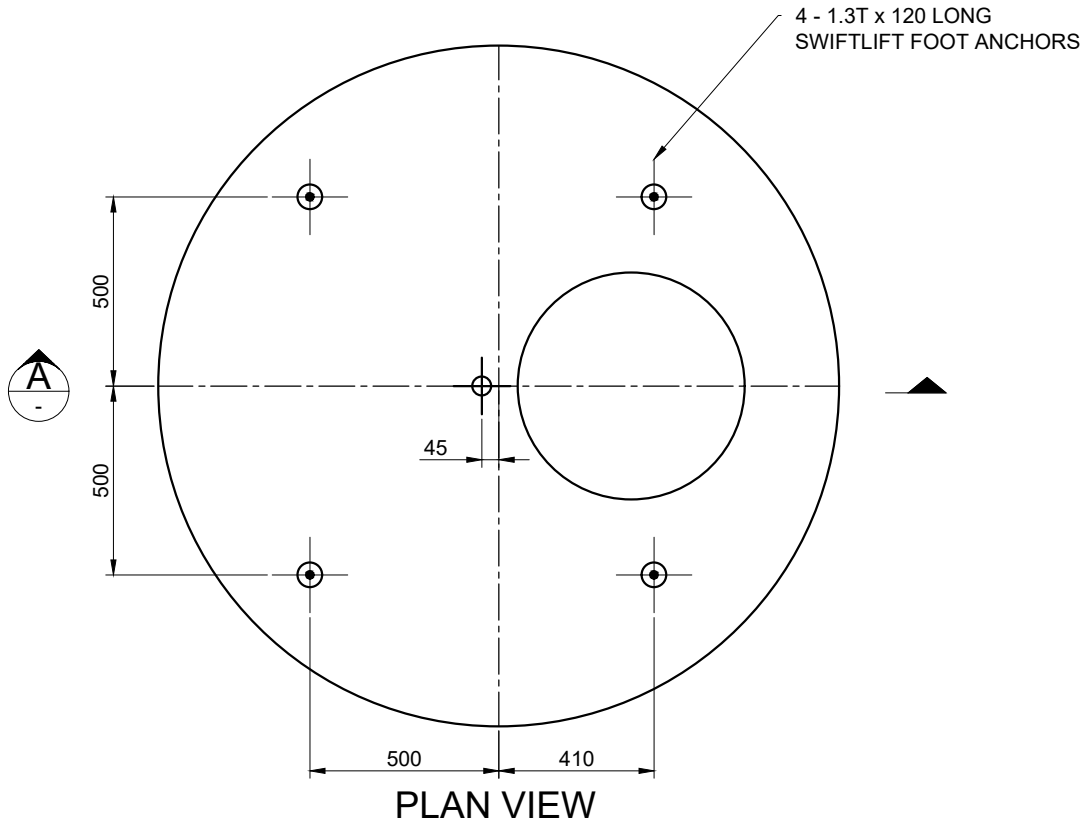
HUDSON

---

CIVIL PRODUCTS

## INFORMATION TABLE

<b>CONCRETE TYPE</b>	MINIMUM N40
<b>CONCRETE VOLUME</b>	0.46m <sup>3</sup>
<b>CONCRETE COVER</b>	30mm MINIMUM
<b>LIFTER TYPE &amp; QTY</b>	4 - 1.3T x 120 FA
<b>MASS</b>	1150KG
<b>ITEM NO/ID</b>	



NOT ALL DETAILS SHOWN FOR CLARITY

**NOTES:**

NOT ALL DETAILS SHOWN FOR CLARITY

1. MANUFACTURED FROM MINIMUM N40 CONCRETE
2. REINFORCEMENT AS PER HCP STANDARD DESIGN
3. CONCRETE COVER & CONCRETE STRENGTH VARIES FOR SPECIFIC APPLICATIONS
4. CUSTOMER TO CHECK ALL DETAILS & APPROVE DRAWING PRIOR TO MANUFACTURE

**DISCLAIMER:**  
 SHOP DRAWING ONLY, DESIGN BY OTHERS. SITE CONTRACTOR & INSTALLER MUST UNDERTAKE SITE & PROJECT SPECIFIC RISK ASSESSMENT/SWMS AROUND SAFE LIFTING & HANDLING OF PRODUCT

**CP1173 - STANDARD DN1500  
 CLASS B MANHOLE SURROUND**

REV	AMENDMENTS	DRAWN	DATE	APPR.	NOTES	SCALE	PAPER
0	ISSUED FOR DRAWING REGISTER	M.R.	23/06/20	A.H.		1:20	A4
						JOB NUMBER	DRAWING

**STANDARD  
 PRODUCT  
 DRAWING**

DRAWN	CHECKED	DATE
M.R.	A.H.	23 JUNE 2020

FAC-MH005-07C

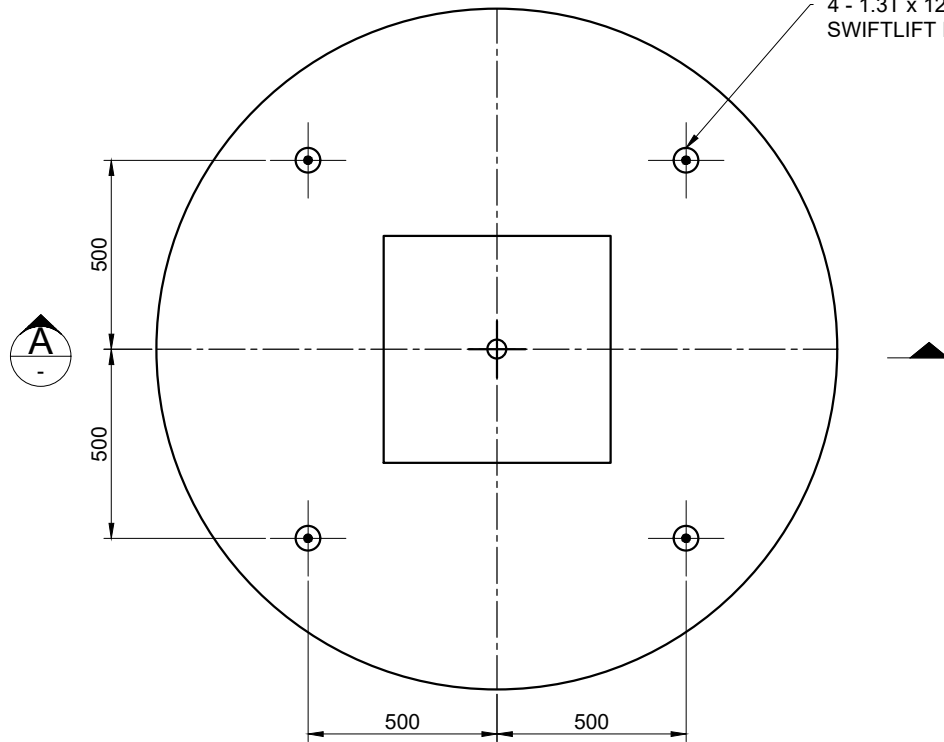


**HUDSON**  
 CIVIL PRODUCTS

## INFORMATION TABLE

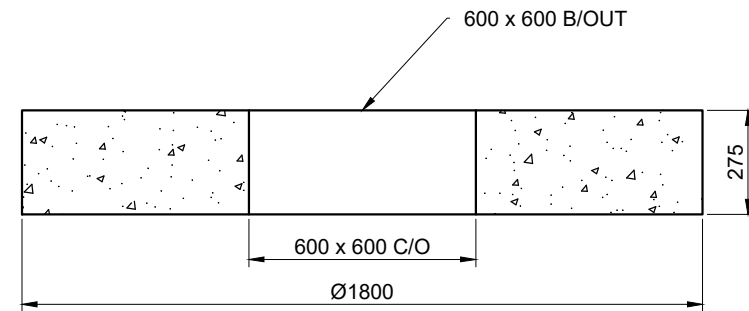
<b>CONCRETE TYPE</b>	MINIMUM N40
<b>CONCRETE VOLUME</b>	0.60m <sup>3</sup>
<b>CONCRETE COVER</b>	30mm MINIMUM
<b>LIFTER TYPE &amp; QTY</b>	4 - 1.3T x 120 FA
<b>MASS</b>	1500KG
<b>ITEM NO/ID</b>	

4 - 1.3T x 120 LONG SWIFTLIFT FOOT ANCHORS



**PLAN VIEW**

NOT ALL DETAILS SHOWN FOR CLARITY



**SECTION A**

NOT ALL DETAILS SHOWN FOR CLARITY

**NOTES:**

1. MANUFACTURED FROM MINIMUM N40 CONCRETE
2. REINFORCEMENT AS PER HCP STANDARD DESIGN
3. CONCRETE COVER & CONCRETE STRENGTH VARIES FOR SPECIFIC APPLICATIONS
4. CUSTOMER TO CHECK ALL DETAILS & APPROVE DRAWING PRIOR TO MANUFACTURE

**DISCLAIMER:**

SHOP DRAWING ONLY, DESIGN BY OTHERS. SITE CONTRACTOR & INSTALLER MUST UNDERTAKE SITE & PROJECT SPECIFIC RISK ASSESSMENT/SWMS AROUND SAFE LIFTING & HANDLING OF PRODUCT

**CP1174 - DN1500 CLASS D  
MANHOLE SURROUND WITH  
600 x 600 HOLE**

REV	AMENDMENTS	DRAWN	DATE	APPR.	NOTES
0	ISSUED FOR CONSTRUCTION	M.R.	09/09/21		

<b>STANDARD PRODUCT DRAWING</b>		
DRAWN M.R.	CHECKED	DATE 09 SEPTEMBER 2021

SCALE 1:20	PAPER A4
JOB NUMBER FAC-MH005-10C	DRAWING

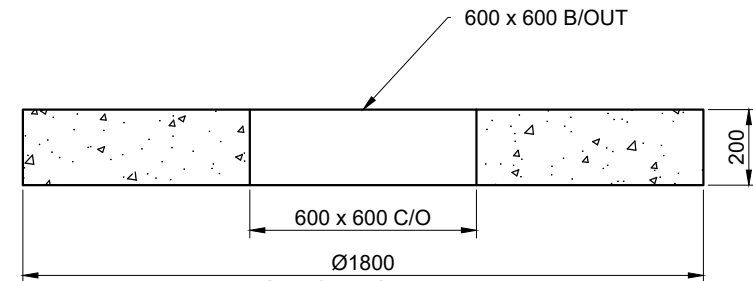
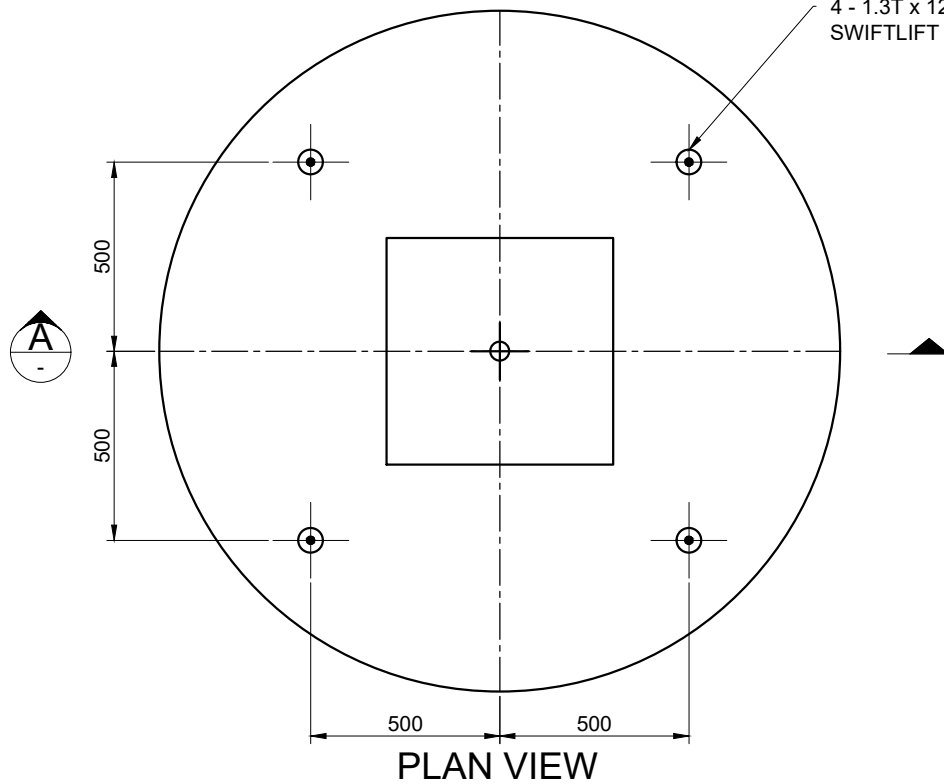


**HUDSON**  
CIVIL PRODUCTS

## INFORMATION TABLE

CONCRETE TYPE	MINIMUM N40
CONCRETE VOLUME	0.44m <sup>3</sup>
CONCRETE COVER	30mm MINIMUM
LIFTER TYPE & QTY	4 - 1.3T x 120 FA
MASS	1150KG
ITEM NO/ID	

4 - 1.3T x 120 LONG  
SWIFTLIFT FOOT ANCHORS



NOT ALL DETAILS SHOWN FOR CLARITY

**NOTES:**

NOT ALL DETAILS SHOWN FOR CLARITY

1. MANUFACTURED FROM MINIMUM N40 CONCRETE
2. REINFORCEMENT AS PER HCP STANDARD DESIGN
3. CONCRETE COVER & CONCRETE STRENGTH VARIES FOR SPECIFIC APPLICATIONS
4. CUSTOMER TO CHECK ALL DETAILS & APPROVE DRAWING PRIOR TO MANUFACTURE

**DISCLAIMER:**

SHOP DRAWING ONLY, DESIGN BY OTHERS. SITE CONTRACTOR & INSTALLER MUST UNDERTAKE SITE & PROJECT SPECIFIC RISK ASSESSMENT/SWMS AROUND SAFE LIFTING & HANDLING OF PRODUCT

**CP1173 - DN1500 CLASS B  
MANHOLE SURROUND WITH  
600 x 600 HOLE**

REV	AMENDMENTS	DRAWN	DATE	APPR.	NOTES
0	ISSUED FOR CONSTRUCTION	M.R.	09/09/21		

<b>STANDARD PRODUCT DRAWING</b>		
DRAWN M.R.	CHECKED	DATE 09 SEPTEMBER 2021

SCALE 1:20	PAPER A4
JOB NUMBER FAC-MH005-11C	DRAWING

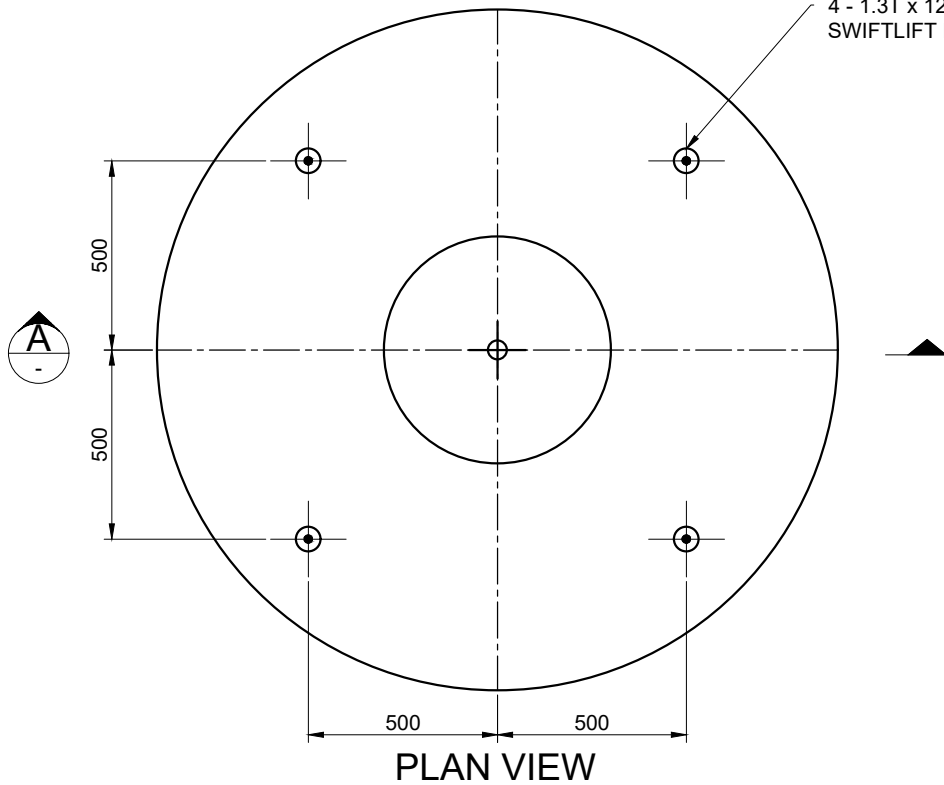


**HUDSON**  
CIVIL PRODUCTS

### INFORMATION TABLE

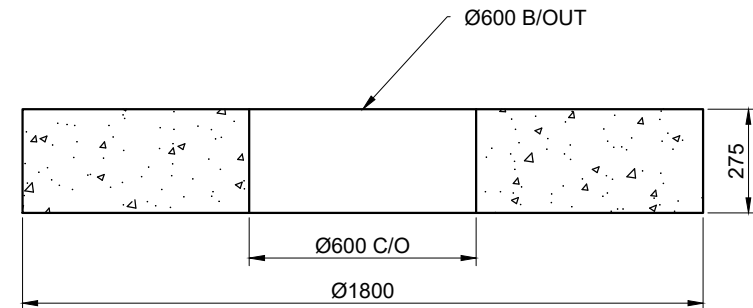
CONCRETE TYPE	MINIMUM N40
CONCRETE VOLUME	0.63m <sup>3</sup>
CONCRETE COVER	30mm MINIMUM
LIFTER TYPE & QTY	4 - 1.3T x 120 FA
MASS	1575KG
ITEM NO/ID	

4 - 1.3T x 120 LONG SWIFTLIFT FOOT ANCHORS



**PLAN VIEW**

NOT ALL DETAILS SHOWN FOR CLARITY



**SECTION A**

NOT ALL DETAILS SHOWN FOR CLARITY

**NOTES:**

1. MANUFACTURED FROM MINIMUM N40 CONCRETE
2. REINFORCEMENT AS PER HCP STANDARD DESIGN
3. CONCRETE COVER & CONCRETE STRENGTH VARIES FOR SPECIFIC APPLICATIONS
4. CUSTOMER TO CHECK ALL DETAILS & APPROVE DRAWING PRIOR TO MANUFACTURE

**DISCLAIMER:**

SHOP DRAWING ONLY, DESIGN BY OTHERS. SITE CONTRACTOR & INSTALLER MUST UNDERTAKE SITE & PROJECT SPECIFIC RISK ASSESSMENT/SWMS AROUND SAFE LIFTING & HANDLING OF PRODUCT

**CP1174 - DN1500 CLASS D  
MANHOLE SURROUND WITH  
Ø600 HOLE**

REV	AMENDMENTS	DRAWN	DATE	APPR.	NOTES
0	ISSUED FOR CONSTRUCTION	M.R.	09/09/21		

STANDARD PRODUCT DRAWING		
DRAWN	CHECKED	DATE
M.R.		09 SEPTEMBER 2021

SCALE	PAPER
1:20	A4
JOB NUMBER	DRAWING
FAC-MH005-12C	

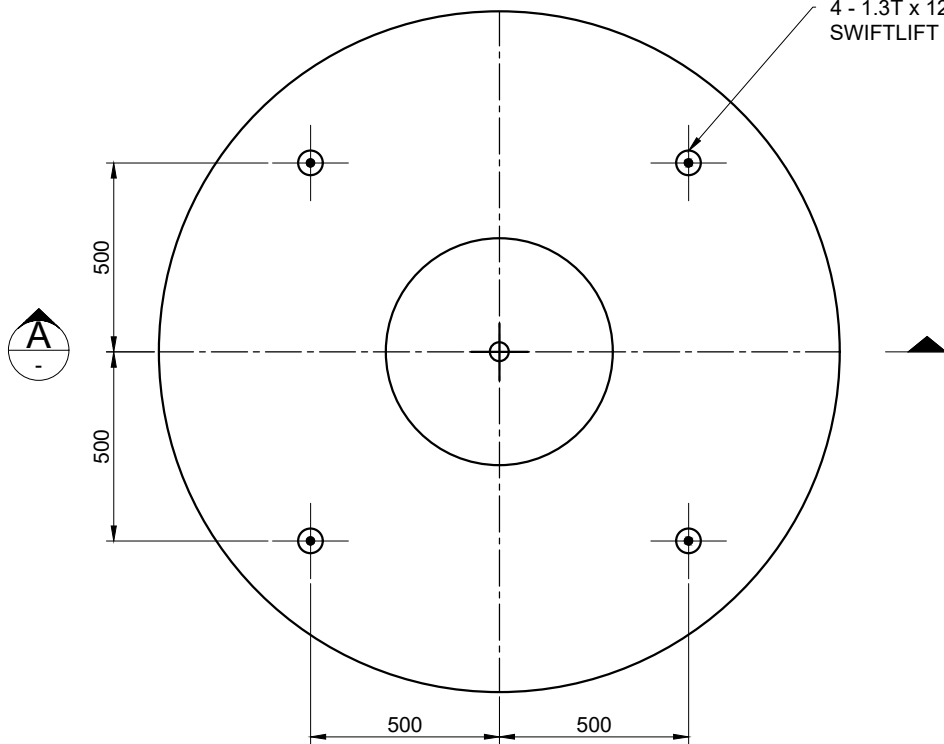


**HUDSON**  
CIVIL PRODUCTS

### INFORMATION TABLE

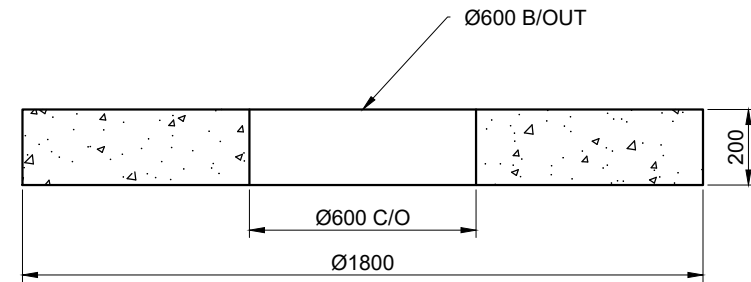
CONCRETE TYPE	MINIMUM N40
CONCRETE VOLUME	0.46m <sup>3</sup>
CONCRETE COVER	30mm MINIMUM
LIFTER TYPE & QTY	4 - 1.3T x 120 FA
MASS	1150KG
ITEM NO/ID	

4 - 1.3T x 120 LONG SWIFTLIFT FOOT ANCHORS



**PLAN VIEW**

NOT ALL DETAILS SHOWN FOR CLARITY



**SECTION A**

NOT ALL DETAILS SHOWN FOR CLARITY

**NOTES:**

1. MANUFACTURED FROM MINIMUM N40 CONCRETE
2. REINFORCEMENT AS PER HCP STANDARD DESIGN
3. CONCRETE COVER & CONCRETE STRENGTH VARIES FOR SPECIFIC APPLICATIONS
4. CUSTOMER TO CHECK ALL DETAILS & APPROVE DRAWING PRIOR TO MANUFACTURE

**DISCLAIMER:**

SHOP DRAWING ONLY, DESIGN BY OTHERS. SITE CONTRACTOR & INSTALLER MUST UNDERTAKE SITE & PROJECT SPECIFIC RISK ASSESSMENT/SWMS AROUND SAFE LIFTING & HANDLING OF PRODUCT

**CP1173 - DN1500 CLASS B  
MANHOLE SURROUND WITH  
Ø600 HOLE**

REV	AMENDMENTS	DRAWN	DATE	APPR.	NOTES
0	ISSUED FOR CONSTRUCTION	M.R.	09/09/21		

STANDARD PRODUCT DRAWING		
DRAWN	CHECKED	DATE
M.R.		09 SEPTEMBER 2021

SCALE	PAPER
1:20	A4
JOB NUMBER	DRAWING
FAC-MH005-13C	



**HUDSON**  
CIVIL PRODUCTS