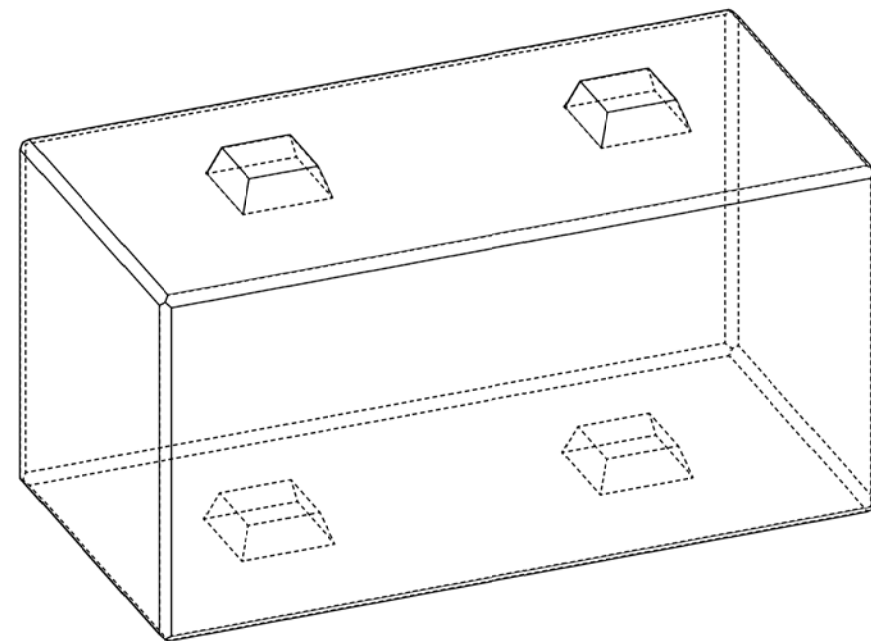


**FULL BLOCK ELEVATION**



**HALF BLOCK & END ELEVATION**

**Title: Hudson Civil 'LOCK Block' Interlocking Block Units**

Scale 1:10  
Date: 19-2-2015

Plot Size A3

