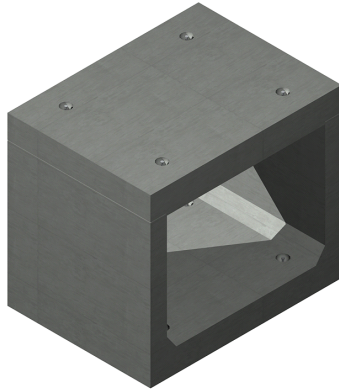




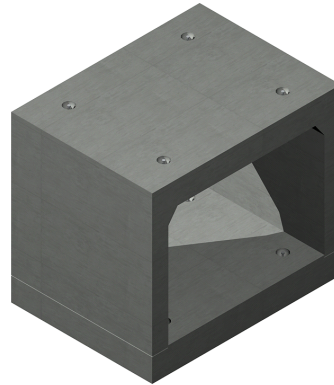
HUDSON

CIVIL PRODUCTS

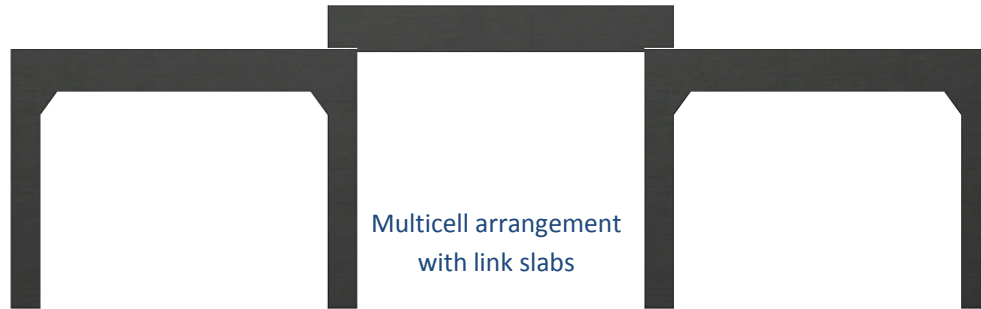
Box Culverts (RCBC)



Inverted crown & lid



Standard crown & base



Multicell arrangement
with link slabs

SPAN (mm)	MIN LEG (mm)	MAX LEG (mm)	LENGTH
300	300	1200	2440
600	300	1200	2440
900	300	1200	2440
1200	300	1200	2440
1500	300	1200	2440
1800	300	2400	1220
2100	300	2400	1220
2400	300	2400	1220
2700	300	2400	1220
3000	300	3600	1220
3300	300	3600	1220
3600	300	3600	1220

Hobart

10 Gepp Parade, Derwent Park, 7009
T (03)62730463 F (03)62733438
E hobart@hudsoncivil.com.au



HUDSON

CIVIL PRODUCTS

Launceston

7 Donald's Avenue, Prospect Tas 7250
T (03)63358200 F (03)63401881
E sales@hudsoncivil.com.au



HUDSON

CIVIL PRODUCTS

HUDSON CIVIL PRODUCTS - The Market Leader!

Hudson Civil supplies the highest quality Box Culverts (RCBC) to the Tasmanian construction market, at the best prices.

Off the shelf models & custom designed, we supply RCBC units along with link or base slabs as required, in sizes right up to 3600mm x 3600mm (internal span x internal leg height) as standard products, and larger or custom sizes on request.

Recent RCBC projects by HCP include:

- Glenorchy City Council 3600mm x 1800mm RCBC & base slabs
- Latrobe WW Storage tank 3600mm x 2400mm RCBC
- MVC Osmaston Rd Dual RCBC & Bases 3000mm x 2000mm
- Waratah-Wynyard Blackfish Creek RCBC & Bases 3600mm x 1500mm
- ABM Mine Site RCBC 3600mm x 3600mm
- TEMCO Blast Furnace False Floor (range up to 3300mm x 2000mm)
- Dilston bypass 3600 x 3600 stock underpass & Wingwalls
- Lyell Highway 3000 x 1200 post tensioned RCBC



Hobart

10 Gepp Parade, Derwent Park, 7009
T (03)62730463 F (03)62733438
E hobart@hudsoncivil.com.au



HUDSON
CIVIL PRODUCTS

Launceston

7 Donald's Avenue, Prospect Tas 7250
T (03)63358200 F (03)63401881
E sales@hudsoncivil.com.au